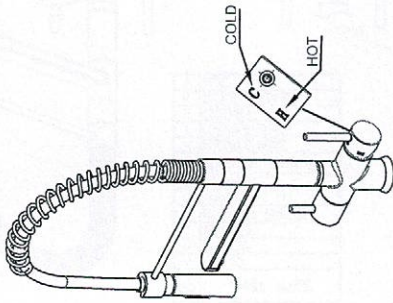


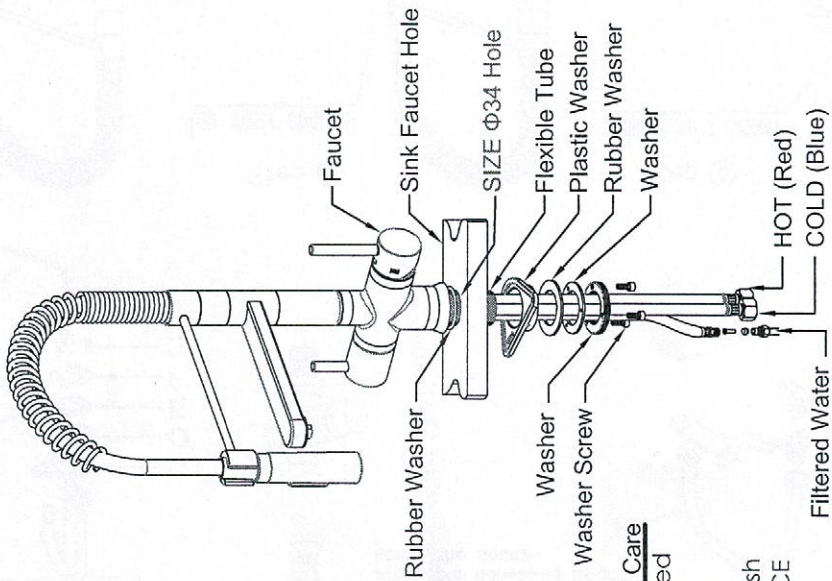
Kitchen & Drinking Faucet Installation Guide



IMPORTANT

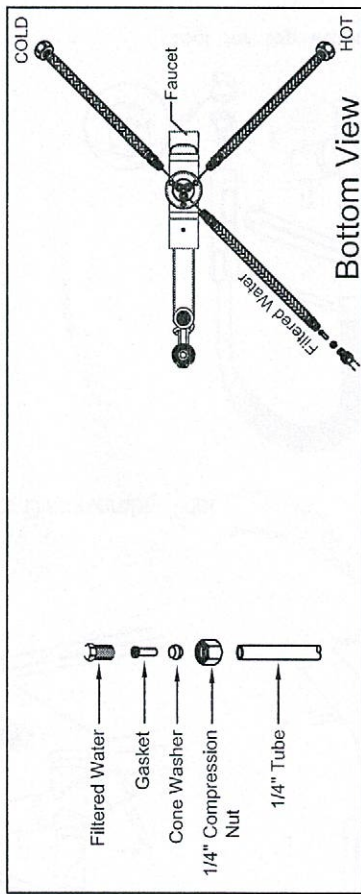
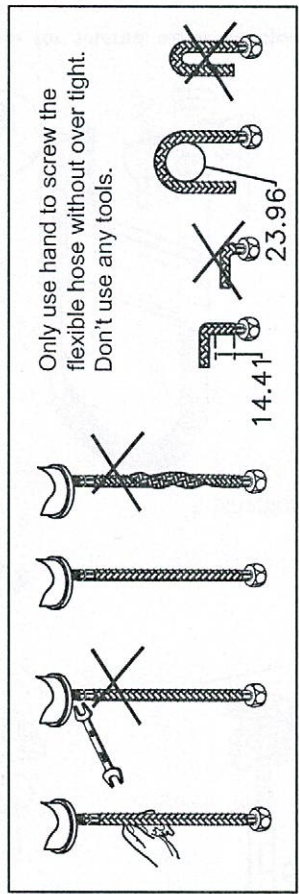
Pressure & Temperature Requirements

- *Hot and cold water inlet pressures should be equal
- *Water pressure (Max) : 125 PSI / 8.3 BAR
- *Temperature
- * Maximum hot water temperature : 80°C (176°F)



IMPORTANT Notice of Routine Maintenance and Care

- *Occasional cleaning of aerator is recommended
- *Use of soapy water and a soft sponge or cloth is recommended
- *Avoid cleaning with chemicals, solvents, or harsh detergents (THIS MAY SERIOUSLY HARM SURFACE AREA)
- *If used with hard water or water with very high mineral content, it is absolutely necessary to clean and dry faucet immediately after every use. (CALCIUM AND OTHER MINERALS COULD SERIOUSLY DAMAGE SURFACE AREA).



LAB-0295

Faucet Installation Procedures

Step ①

NO.	PART TITLE
A	ORING
B	SCREW
C	WASHER
D	RUBBER WASHER
E	WASHER
F	WASHER
G	WASHER SCREW
H	FLEXIBLE HOSE
I	FLEXIBLE HOSE
J	GASKET
K	CONE WASHER
L	NUT

ø33mm
(1.30")

Please make sure
the jut side up

Hex Key wrench
(H4mm)

Apply the high performance
anaerobic adhesives when
screw the shank.

Step ②

Adjustable wrench

Step ③

Step ④

tap water channel

Step ⑤

drinking water channel

Instruction for Disassembly Tool

Tool for filtered water aerator

Tool for tap water aerator

