

**WARNING: For correct operation & installation, it is essential to observe these instructions.**

AQUACO ZERO TDS REVERSE OSMOSIS WATER FILTRATION SYSTEM FOR AUTOCLAVE STERILIZERS



Product Code: SYS-RO925TM5-DI

## CONTENTS

AquaCO Zero TDS Reverse Osmosis Water Filtration System For Autoclave Sterilizers .....	1
Installation and Operation Manual .....	3
AquaCo Customer Service .....	3
Operation .....	3
Installation .....	4
Installation requirements .....	4
Typical Installation .....	5
Components .....	5
Installation Images .....	6
Installation Procedure .....	7
Cartridge Installation/Maintenance .....	9
Membrane Service/Maintenance .....	10
GAC & RESIN Inline Service / Maintenance .....	10
Faucet Installation Procedure .....	11
Faucet Installation Procedure .....	11
Guide to use Push-In Tube Connectors .....	12
Use Guidelines .....	12
Cartridge Replacement Guide .....	13
Performance Data Sheet .....	14
Notes .....	16
Warranty .....	16
Price .....	18
Default .....	18
Severence .....	18
Warranty/Australia .....	19

## INSTALLATION AND OPERATION MANUAL

### AQUACO CUSTOMER SERVICE

Thank you for purchasing an AquaCo reverse osmosis water filter system. Your system is a proven performer manufactured from only quality materials and components and will give years of 'spring fresh' water free of impurities if maintained properly.

Caution: Do not use with water that is microbiologically unsafe or with water of unknown quality without adequate disinfection before or after the system.

The system is designed for metropolitan supply water but can be used in other situations. For other types of water supply please contact your local AquaCo stockist or call our AquaCo Customer Service Helpline.

The AquaCo filter systems cartridges need replacing regularly to maintain optimum performance. This is a simple procedure when following instructions. For cartridge replacements contact your nearest AquaCo stockist.

If you have any questions, please fill out the form found in our website [www.waterfilter.com.au](http://www.waterfilter.com.au).

### OPERATION

The AquaCo reverse osmosis systems are designed to run economically for many years, dependent on the initial installation and periodical maintenance.

Flush systems for 10 minutes after any period of non-use more than 2 days. For a period of non-use of 2 weeks or more, it may be necessary to replace cartridges.

This product must be installed in accordance with local plumbing regulations by a licensed plumber.

**Installation Note:** A water filter system/tap, like any product, has a limited life and may eventually fail. Also, sometimes failure happens early due to unforeseen circumstances. To avoid possible property damage, this product should be regularly examined for leakage and/or deterioration and replaced when necessary. A drain pan, plumbed to an appropriate drain or outfitted with a leak detector, should be used in those applications where any leakage could cause property damage, and/or the water supply should be turned off if no one is home/present.

**INSTALLATION MUST BE COMPLETED BY A LICENCED PLUMBER. FAULTY OPERATION DUE TO UNQUALIFIED PERSON WILL RESULT IN VOIDED WARRANTY COVERAGE.**

**Product Code:** SYS-RO925TM5-DI

## INSTALLATION

This system comes complete with an installation kit enabling it to be connected to ½" copper pipe (cold supply only - hot water should be filtered prior to heating). Included is a control valve incorporating backflow prevention, anti hammer, flow control and pressure limiting capabilities in full compliance with the relevant laws.

---

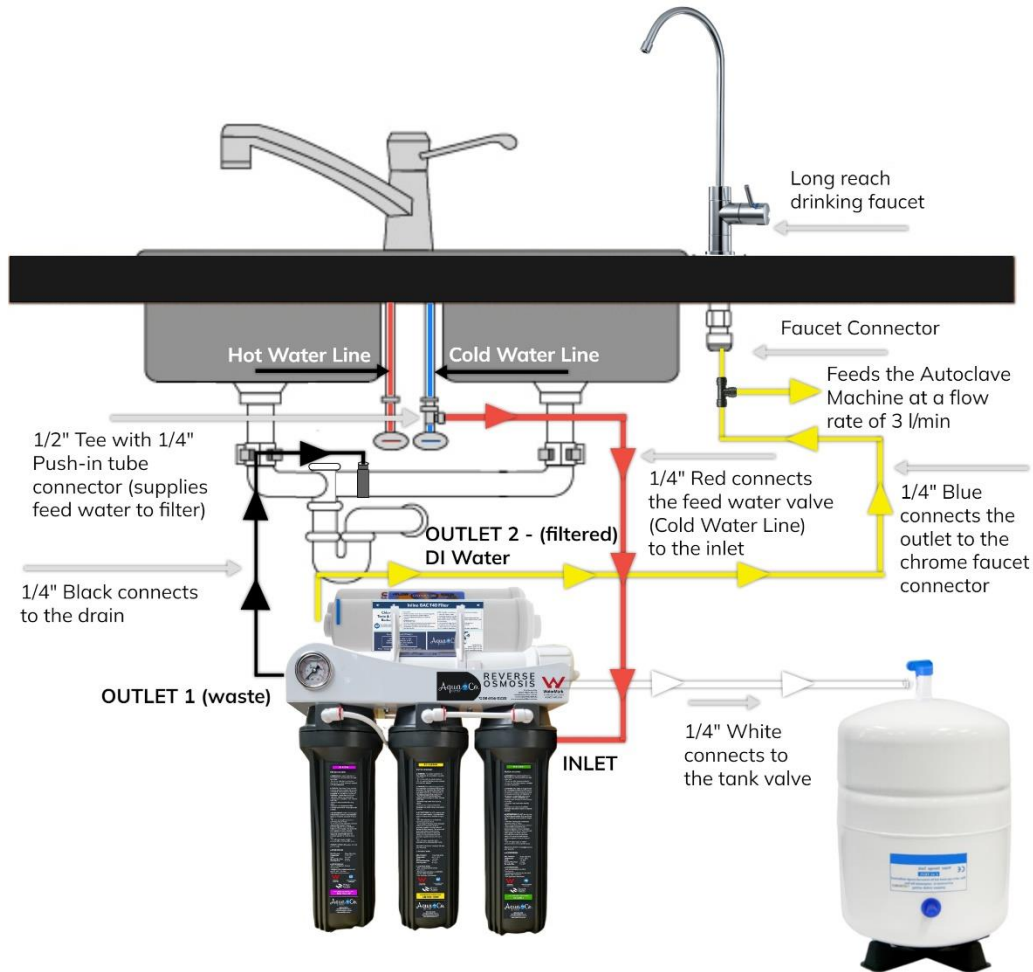
### INSTALLATION REQUIREMENTS

1. ½" Cold water line.
2. Min/Max pressure: 240 - 600 kPa.
3. Min/Max temperature 0° - 30°C (protect from freezing).
4. Suitable location for faucet.

Alternative fittings may be required if being connected to anything other than (½" copper pipe. No electrical or drainage requirements needed.

TYPICAL INSTALLATION

Figure 1



COMPONENTS

- Angle Stop Valve (Not included)
- 1/2" Tee with 1/4" Push-In Tube Connector
- 1/2" Braided Cold-Water Hose (Not included)
- PLV Pressure Limiting Valve
- Housing Sump with 1<sup>st</sup> Stage Filter (Sediment Pre-Filter)
- Housing Sump with 2<sup>nd</sup> Stage Filter (Carbon Block)
- Inline GAC Filter (3<sup>rd</sup> Stage)
- Auto Shut-Off Valve
- 1/4" Male Elbow
- Membrane Housing with 4<sup>th</sup> Stage Filter (75GPD RO Membrane)
- Flow Restrictor
- Drain Clamp
- Check Valve
- 1/4" Quick Connect Tee
- 12 L Capacity Reverse Osmosis Tank (RO-132)
- Housing Sump with 5<sup>th</sup> Stage Filter (Resin Filter)
- Inline Resin Filter (6<sup>th</sup> Stage)

Product Code: SYS-RO925TM5-DI

INSTALLATION IMAGES



**Product Code:** SYS-RO925TM5-DI

## INSTALLATION PROCEDURE

**Important Note:** Do not cut the BLACK tube when installing this system.

1. Find a convenient location: The System dimensions are 480 H x 360 W x 200 D (mm), and the tank dimensions are 279 D x 368 H (mm). The tank can go laying down as well as the system, if height is an issue.
2. Shut Off the water supply: Locate the connection between the kitchen tap & cold-water line (Usually a flex line). Shut off the incoming water and open the tap (cold water) to release the pressure.
3. Disconnect the cold water braided hose: If you do not know which one is the hot or cold, run the hot water for a while and feel the hoses.

## FEEDING THE SYSTEM WITH HOT WATER, WILL DAMAGE THE SYSTEM

4. Install the mains adaptor: From the cold-water inlet, install the valve adaptor/mains connector in between. **DO NOT** apply thread tape to these connections as they are designed to use the washers only. (Fig 2)
5. Check for leaks: With the blue handle facing in line with the cold-water line (As pictured) the valve is in the off position. During this point, you can turn the water back on to check for leaks in the valve installation.
6. Select location on kitchen sink to install faucet. Make sure there is adequate access under the bench top for the hoses. The faucet supplied with the system requires a 1/2" hole. Use a centre punch to locate the position to drill.
7. Drill a pilot hole and gradually enlarge until you have the correct size hole.

Figure 2



Figure 3

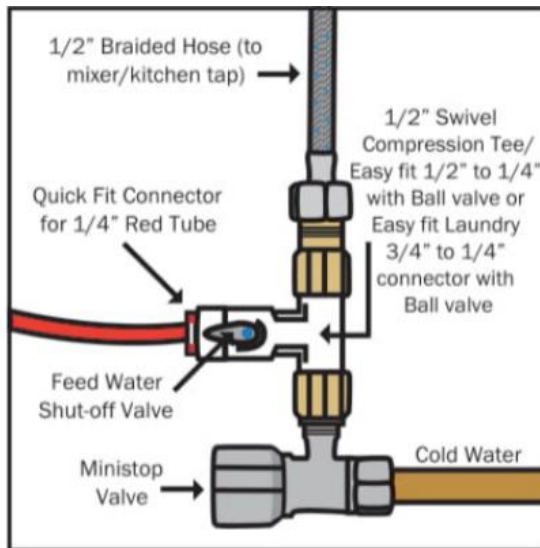
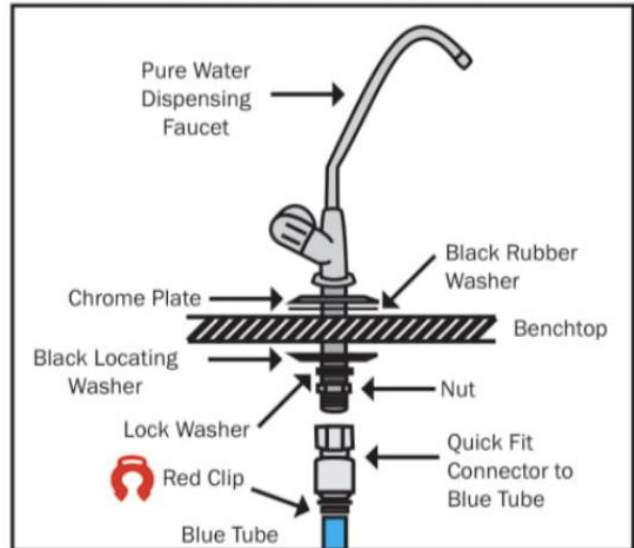


Figure 4



8. To install faucet, insert the faucet into the hole in sink or bench. The faucet may be installed on any flat surface over 50mm (2") in diameter. (Remember: check the underside of the location for interference). Make a small indent using a centre punch to mark the desired drilling location. Drill a pilot hole with a metal drill. Enlarge the hole using a 1/2" metal drill bit.

Once the hole has been drilled install the faucet as per Figure 4. Be sure the faucet body, chrome plate, and the black rubber washer are placed above the sink. Install the black locating washer, the lock washer and nut underneath, then tighten firmly while aligning faucet in the desired direction. **Connect BLUE tube to faucet. (Fig 4)**

**Product Code:** SYS-RO925TM5-DI

9. Reset LED indicator by following instructions on page 10.
10. Install the drain clamp by drilling a 4 mm hole in the waste pipe. Position the drain clamp above the trap. **Connect ¼" BLACK drain tube to drain clamp** and tighten compression nut. Do not allow drain hose to protrude more than 10 mm into drain, making sure the holes in the drain and the clamp are exactly aligned. This can be done by inserting a thin Phillips screwdriver through them whilst tightening the clamp. (Fig 5)
11. When connecting the red, black, blue and white tubes leave plenty of extra length so that the purifier can be repositioned during servicing without having to disconnect all the hoses.
12. **Connect WHITE tube to storage tank.** Screw ball valve to tank outlet and ensure valve is open. (Fig 6)
13. Once unit has been completely plumbed it will need to be actuated. To do this ensure isolation valve is off and faucet is open. Gradually open isolation valve to begin water production. The first sign will be water running to drain. This is normal and then finally product water will begin coming out faucet. This may take several minutes.
  - a. At this stage close faucet. This forces product water to fill up the storage tank. To check that water is still being produced, check water is running to drain. This should continue for several hours until tank is full. When tank is full, the pressure in the tank will overcome the inlet water pressure and the shut off valve will activate, shutting off the inlet water. To check this, check if water is running to drain. Once tank is full, no water should run to drain. To flush system, allow tank to fill, open faucet outlet until water stops, close faucet and allow tank to fill. Check all connections for leaks.
14. Reverse osmosis systems produce water slowly, almost drop to drop. If the tank is empty to begin with, it will take the tank 3 to 4 hours to fill. Reverse osmosis systems product water slowly. Initially filling the tank will take 3 - 4 hours. Fill and empty twice before drinking water from the system. This is essential in order to flush away any sterilising solution in the membrane.
15. Check all connections are tightened properly. Check for leaks.
16. To dispense drinking water from the faucet, push and hold the handle down or push up for continuous operation.
17. When the unit is in place and the water lines are installed, the unit should be run for 4 hours before the purified water is used, on initial start up. The unit cannot be stored for more than 2 weeks without use, or damage to the membrane may occur. Please enquire if this is the case. For a period of non-use greater than 2 days, flush for 10 minutes before use. For non-use periods of more than 2 weeks, the cartridges may need replacing.
18. The sediment and chemical removal filters should be replaced every 12 months. The membrane should be replaced when water quality deteriorates or every 36 - 48 months, depending on incoming water quality. Use only genuine AquaCo replacement cartridges and cartridges that are suitable for this appliance.

Figure 5



Figure 6



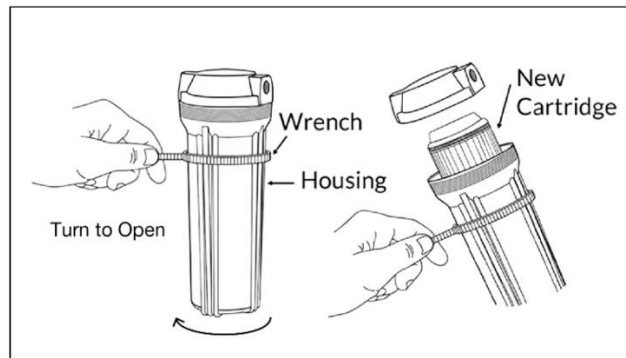
Product Code: SYS-RO925TM5-DI

**CARTRIDGE INSTALLATION/MAINTENANCE**

To change the filter cartridges, adhere to the following procedure.

1. Close 1/2" Tee with 1/4" Push-In Tube Connector (Mains Connector or Shut Off Valve) to prevent water flow.
2. Relieve water pressure by operating faucet lever.
3. Unscrew filter housing sump using the spanner wrench and discard cartridges. When removing housings place a container underneath to catch any spillage. (See Fig 7)

Figure 7



4. Cleanse the inside of the housing using warm water. Check O-ring and lubricate with food grade silicone lubricant or similar. Replace O-ring if kinked or damaged (Part No: ORG-STD). (See Fig 8)

Figure 8

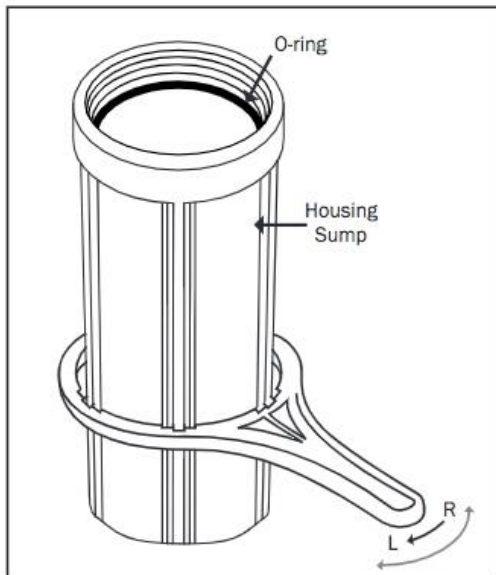
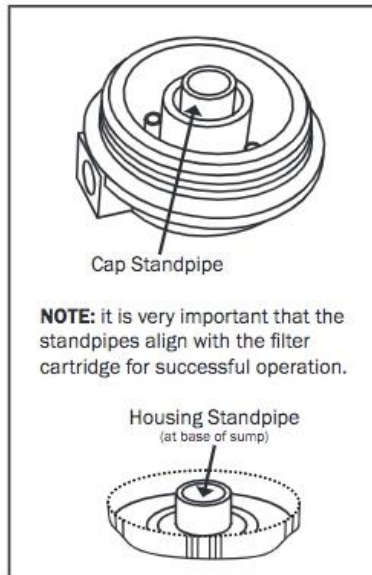


Figure 9

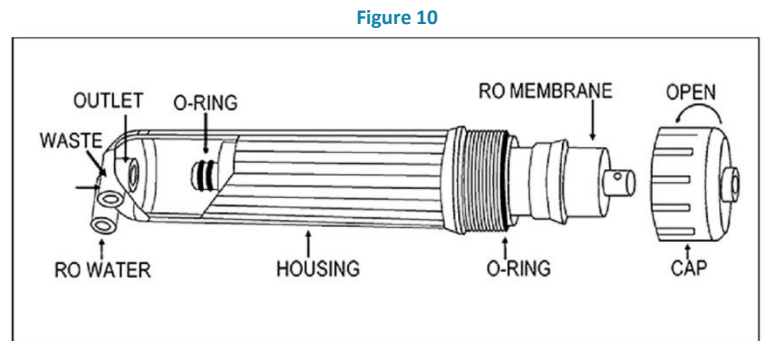


5. Install new cartridges and replace housing screwing them up **HAND TIGHT ONLY**. Sediment filter is on the inlet side and chemical on the outlet side.
6. Reset LED indicator by following instructions on page 10.
7. Restore water supply & check for leaks, rectifying any before leaving the unit. After installing cartridges flush unit for 5 - 10 minutes.

**Product Code:** SYS-RO925TM5-DI

## MEMBRANE SERVICE/MAINTENANCE

1. Disengage tubings from the membrane housing cap.
2. Disengage the housing and locate your membrane spanner and open the Membrane Housing. Membrane housing cap can be unscrewed by hand.
3. Remove the cap on the membrane housing and by using a pair of needle nose pliers remove the membrane with a twisting motion and discard the Membrane.



4. To connect the new filter membrane, remove membrane packaging, only remove the outer shrink-wrap packaging, DO NOT remove any other packaging from the membrane.
5. When installing the new membrane, please double check that the new membrane and the old membrane have the same specifications (part number).
6. Check the flow arrow in the new membrane and place the new membrane in the position as the previous membrane was.
7. Once the membrane is in the right position, INSERT THE NEW MEMBRANE
8. To make sure the membrane housing is fully sealed, you may use plumbers' silicone grease to lubricate the O-ring and the main seal. Screw in the membrane housing cap, and engage the membrane housing to the system. Then, connect the tubing. Push the tubes as far as they can go.
9. The process of flushing the membrane takes a bit more time. Turn on the water supply and the RO tank, allowing the system to refill it. Wait about two hours, then turn on the faucet letting the air out of the system and flushing the membrane. Repeat the flushing process at least one time, waiting at least 2 hours between each procedure.

## GAC & RESIN INLINE SERVICE / MAINTENANCE

1. Locate your isolating valve connected to your cold-water supply. Turn isolating valve OFF.
2. Locate the tap on top of you tank. Turn the tap on top of your tank OFF. Go to your drinking faucet and open the tap to release the pressure.
3. Locate the filter cartridge to be replaced, and disconnect the hoses connected to that filter.

**Note:** Before disconnecting, please check the flow arrow and specifications in the current filter to place the new filter in the correct position.

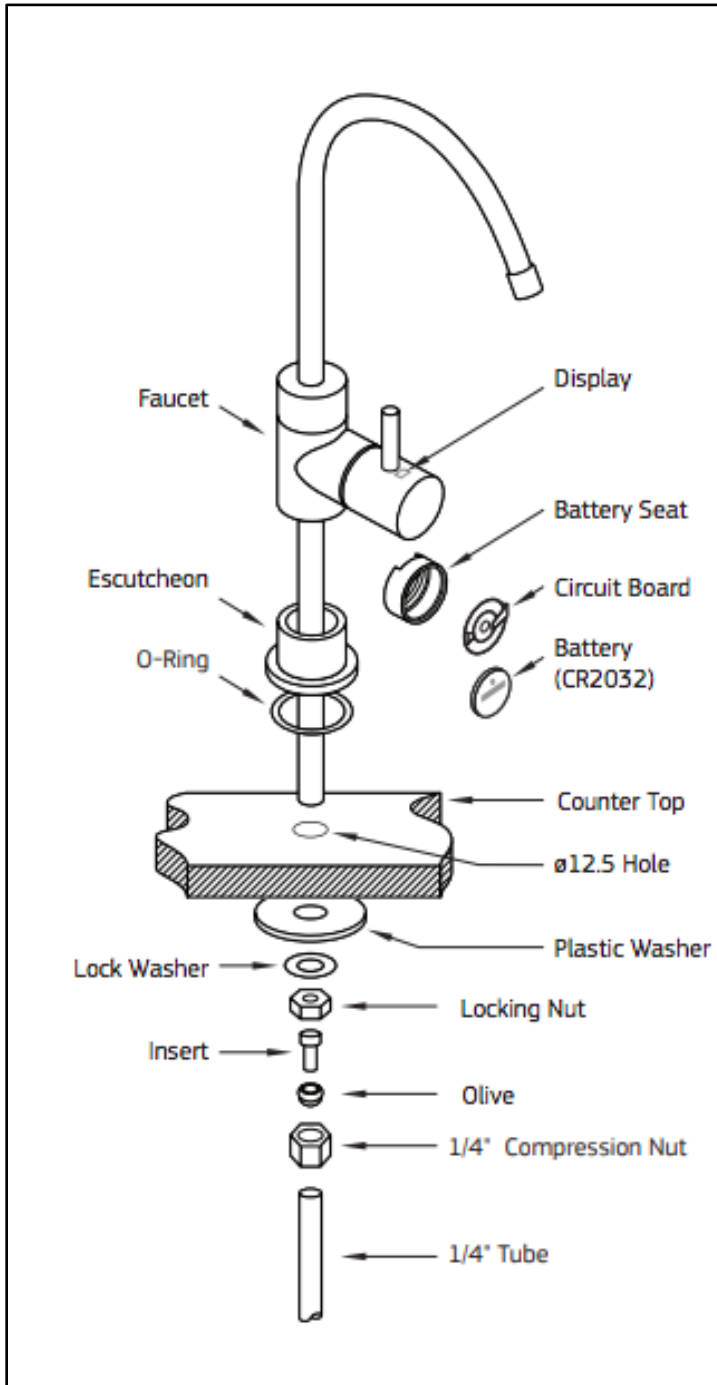
4. To disconnect the hose/tube, first remove the red clip. Use two fingers to push into the collet and at the same time pull out the tube. Repeat the same process to disconnect the hose at the other end of the filter cartridge. Then, remove and dispose the filter cartridge.
5. To connect the new filter cartridge, remove any protection that the filter may have at the ends.

**Note:** When installing the new filter, please double check that the new filter and the current filter have the same specifications (part number).

6. Check the flow arrow in the new filter and place the new filter in the position as the previous filter was. Once the filter is in the right position, push the tube as far as it can go and secure with a John Guest Clip.
7. Repeat the step 6 to connect the other end of the new filter cartridge. Repeat the same process for any filter cartridge replacement.

**FAUCET INSTALLATION PROCEDURE**

Figure 11 – Faucet Installation Diagram

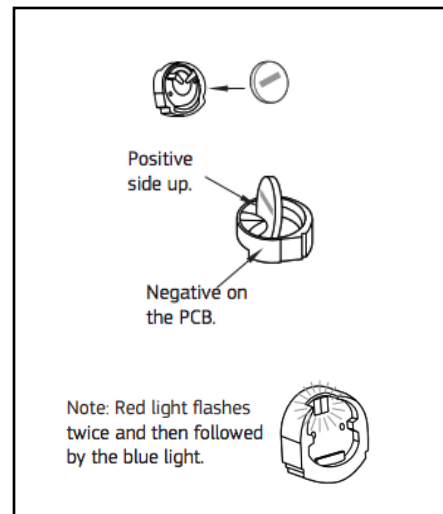


**Important note:** Battery must be replaced when changing cartridges.

**FAUCET INSTALLATION PROCEDURE**

1. Remove the black battery seat from the faucet lever handle (see Figure 13).
2. Install battery into the battery seat, positive side up, discard plastic insert.

Figure 12



3. Reinstall battery seat assembly into the faucet lever, battery side facing outwards.

Figure 13

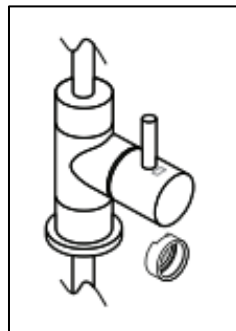
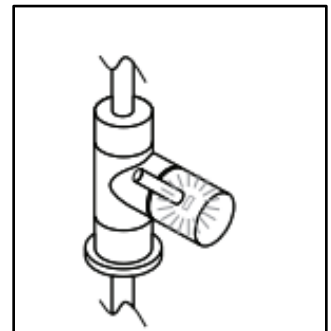


Figure 12



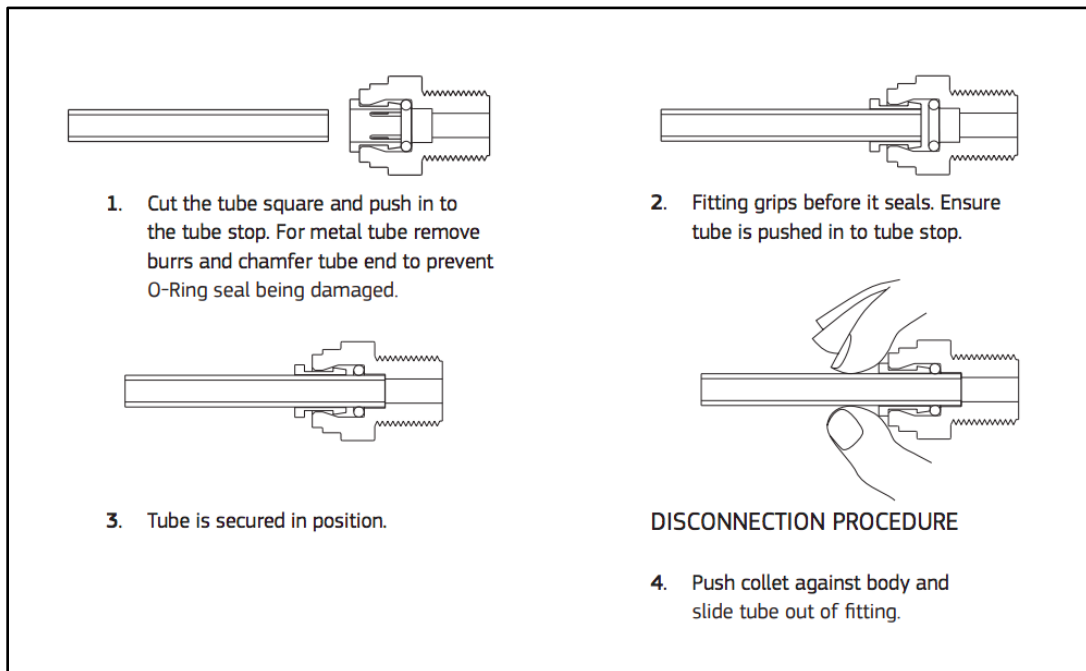
4. Blue light flashes during normal operation.
5. Red light flashes indicate your cartridges are due to be changed (usage has exceeded 3,000 minutes or 12 months). Please change the battery when changing the cartridges.

**WARNING! THIS PRODUCT CONTAINS A BATTERY. ACCIDENTAL INGESTION MAY OCCUR AND CAN BE FATAL. PLEASE KEEP OUT OF REACH FROM INFANTS. IF YOU SUSPECT AN ACCIDENTAL INGESTION, PLEASE CONTACT EMERGENCY SERVICES.**

Product Code: SYS-RO925TM5-DI

## GUIDE TO USE PUSH-IN TUBE CONNECTORS

Figure 15



## USE GUIDELINES

- Minimum operating pressure 240 kPa (35 psi)
- Maximum operating pressure 600 kPa (85 psi)
- Do not allow exposure to temperatures below 0°C.
- Maximum operating temperature 38°C.
- Nominal flow rate 4 lpm.
- This system must be installed according to local plumbing codes on the cold-water line.
- Replacement Cartridges: See Cartridge replacement section
- This system requires regular replacement of the filter cartridge to maintain proper operation. Varying chlorine, sediment, or organic substance levels may affect replacement frequency.
- Be sure to change the filter cartridge at least every 12 months; or whenever you detect a change in taste, odour, or decrease in flow.
- When replacing cartridge, ensure you reset the LED reminder light by removing/replacing the battery from the rubber seat. Please refer to page 8 for a detailed diagram.

**Caution:** Do not use with water that is microbiologically unsafe or of unknown quality without adequate disinfection before or after the system.

Product Code: SYS-RO925TM5-DI

CARTRIDGE REPLACEMENT GUIDE

You can obtain replacements from your local AquaCo dealer. To maintain performance, warranty and standards use genuine AquaCo replacement filters.

Figure 16



Reverse Osmosis converts your water into clean, pure and healthy drinking water by removing up to 99% of over 1,000 harmful contaminants like chlorine, fluoride, lead (removes up to 98%), arsenic, asbestos, calcium, sodium and more.

**AquaCo ZERO TDS Reverse Osmosis Replacement Filters**

Link: [Buy](#)

- 1<sup>st</sup> Stage: Sediment Filter: PP-925-1
- 2<sup>nd</sup> Stage: Carbon Filter: CB-925-5
- 3<sup>rd</sup> Stage: Inline GAC Filter: IL-1025T40JJ-5
- 4<sup>th</sup> Stage: 75 GPD Membrane: MEM-75GPD
- 5<sup>th</sup> Stage: Resin Filter: RES-925
- 6<sup>th</sup> Stage: Inline Resin Filter: RES-IL-1225-JJ

**TO MAINTAIN THE HIGH QUALITY OF THE PURIFIED WATER THE CARTRIDGE(S) NEED CHANGING EVERY 6-12 MONTHS (THIS IS DEPENDENT ON WATER QUALITY AND USAGE). YOU CAN OBTAIN REPLACEMENT CARTRIDGES FROM YOUR LOCAL AQUACO STOCKIST. TO MAINTAIN PERFORMANCE AND WARRANTY USE GENUINE AQUACO REPLACEMENTS.**

**Product Code:** SYS-RO925TM5-DI

PERFORMANCE DATA SHEET

PRODUCT CODE: PP-925-1

SEDIMENT FILTER

<b>Micron Rating</b>	<b>Triple Gradient: 10 µm (outer), 5 µm (middle), 1 µm (inner)</b>
<b>Filter Dimensions</b>	9" x 2.5"
<b>Media Type</b>	100% Polypropylene

NOTES: THIS CARTRIDGE IS TESTED AND CERTIFIED BY NSF INTERNATIONAL UNDER NSF/ANSI STANDARD 42 FOR MATERIAL REQUIREMENTS ONLY.

PRODUCT CODE: CB-925-5

CARBON FILTER

<b>Micron Rating</b>	<b>&gt;98% @ 5 µm</b>
<b>Filter Dimensions</b>	9" x 2.5"
<b>Chlorine Reduction &gt;95%</b>	45,000 L @ 0.75 gpm
<b>Initial _P</b>	>5.0 psid @0.75 gpm
<b>Carbon Weight</b>	0.80 lbs.
<b>Carbon Type</b>	Coconut Shell Activated Carbon

NOTES: CHLORINE REDUCTION CAPACITY BASED ON LABORATORY TESTING CONDUCTED USING TEST PROTOCOL CONTAINED IN NSF STANDARD 42 .

PRODUCT CODE: IL-1025T40JJ-5

INLINE GAC FILTER

<b>Micron Rating</b>	<b>&gt;98% @ 5 µm</b>
<b>Filter Dimensions</b>	10" x 2.5"
<b>Chlorine Reduction &gt;95%</b>	7,500 L @ 0.5 gpm
<b>Initial _P</b>	>5.0 psid @0.75 gpm
<b>Carbon Type</b>	Granular Activated Carbon

NOTES: CHLORINE REDUCTION CAPACITY BASED ON LABORATORY TESTING CONDUCTED USING TEST PROTOCOL CONTAINED IN NSF STANDARD 42 .

Product Code: SYS-RO925TM5-DI

PRODUCT CODE: MEM-75GPD

REVERSE OSMOSIS MEMBRANE

Reverse Osmosis Element	Applied Pressure		Permeate Flow Rate		Typical Stabilized Salt Rejection (%)
	(psig)	(bar)	(GPD)	(L/h)	
<b>TW-1812-75NTH</b>	50	3.4	50	7.9	99%

1. PERMEATE FLOW AND SALT REJECTION BASED ON THE FOLLOWING TEST CONDITIONS: 500 PPM NAHCO<sub>3</sub> , 77°F (25°C), PH 8.0, 15% RECOVERY AND THE SPECIFIED APPLIED PRESSURE.

2. MINIMUM SALT REJECTION IS 98.0%.

3. PERMEATE FLOWS FOR INDIVIDUAL ELEMENTS MAY VARY +25/-15%.

PRODUCT CODE: RES-IL-1225-JJ

INLINE RESIN FILTER

<b>Micron Rating</b>	>98% @ 5 _m
<b>Filter Dimensions</b>	12" x 2.5"
<b>Initial _P</b>	>5.0 psid @0.75 GPM
<b>Media Type</b>	DI Mixbed Resin

PRODUCT CODE: RES-925

RESIN FILTER

<b>Micron Rating</b>	>98% @ 5 _m
<b>Filter Dimensions</b>	9" x 2.5"
<b>Initial _P</b>	>5.0 psid @0.75 GPM
<b>Media Type</b>	DI Mixbed Resin

**Product Code:** SYS-RO925TM5-DI

## NOTES

AquaCo water care products are designed, manufactured and supported by Water Filters Pty Ltd the name you can trust for viable and proven water solutions. The complete range of AquaCo products are developed, refined, made to meet and exceed stringent specifications for the worldwide market.

Important: Sales of products are subject to our Terms and Conditions which are available upon request. All specifications, information and photos are a guide only and are subject to change without notice. Please ring to confirm details. Warning: For correct operation of this appliance, it is essential to observe manufacturer's instructions.

## WARRANTY

Any contract of sale, order, or quotation made or accepted by or on behalf of Water Filters Pty Ltd (trading as AquaCo Filters) is subject to these terms and conditions of sale.

- AquaCo Filters warrants AquaCo Filtration Systems to the original purchaser for a period of 5 years for Retail customers, and 2 years for Wholesale and Trade customers from the date of sale established by the date of the original invoice issued by an authorized distributor.
- AquaCo Filters warrants each new Product to be free from defects in the product for a period of 2 year from the date of retail sale established by the date of the original invoice issued by AquaCo Filters.
- AquaCo Filters reserves the right in instalment sales to grant credit for the value of any Product found to be defective under this Warranty.
- AquaCo Filters will not cover any labour charge incurred by the Buyer for the replacement or repair of any Product.
- The Buyer is responsible for freight and local labour charges for Products the subject of this Warranty.
- This Warranty applies only to the original purchaser of the Product.
- AquaCo Filters' obligation under this Warranty is limited to AquaCo Filters' own option, to either repair or replace the Product, once AquaCo Filters has deemed that the Product is defective or AquaCo Filters may, at its own discretion, refund to the Buyer the purchase price paid for the defective goods.
- This Warranty does not cover any Product that is relocated from the site of its original installation.
- All replaced or exchanged parts taken out under this warranty become the property of AquaCo Filters.
- This Warranty is subject to the Product being properly installed, maintained, being used for its intended purpose and operated strictly in accordance with AquaCo Filters' recommendations and installation guide.
- This Warranty does not extend to a Product that has been modified in any way unless with AquaCo Filters' express consent.
- This Warranty does not cover the normal wear and tear of the Product, or damage caused by misuse, abuse or vandalism. The Warranty does not cover any malfunction or failure resulting from neglect, use of unauthorised parts and accessories or use with higher water pressure than indicated on the Product.
- The Warranty does not extend to damage caused by rain, fire, earthquake or other natural causes or acts of nature.
- It is expressly agreed that this shall be the sole and exclusive remedy of the Buyer stated herein, and under no circumstances shall AquaCo Filters be liable for any costs, loss, expense, damages, special damages, incidental damages or consequential damages arising directly or indirectly from the design, manufacture, sale, use or repair of the Product whether based upon warranty, contract, tort or strict liability.
- All Conditions and Warranties implied by law or statute are hereby expressly negated so far as they lawfully can be.

**Product Code:** SYS-RO925TM5-DI

---

## ACCEPTANCE AND CLAIMS

- Acceptance of the Products shall be deemed for all purposes to have taken place at the expiration from the date of each delivery.
- Any damage caused during or as a result of transit will not be the responsibility of AquaCo Filters.
- Any faulty systems must be returned with the Pressure Limiting Valve.
- In the event of a Warranty Claim, the Product must be forwarded at the Buyer's own risk and expense to AquaCo Filters, together with proof of purchase.
- This limited Warranty is void if the Product under Warranty is presented without the said original invoice.
- AquaCo Filters may request that a Statement accompany the Original Invoice, signed by the Buyer, setting out the following terms:
  - The name and address of the Buyer.
  - The date and by whom the Product was purchased.
  - The date and by whom the Product was installed.
  - The location where the Product was installed.
  - The date and time the Product first appeared to malfunction.
  - The nature of the problem with the Product.
  - The date and time of any and all loss event/s.
  - The date and time AquaCo Filters was first notified of the Product malfunction.
- A failure by the Buyer to submit the said Statement within 28 days, after such request is made by AquaCo Filters, will automatically void the Warranty.
- A failure to answer truthfully or to answer in a way that is misleading, entitles AquaCo Filters to void the Warranty and to notify the police in the event of suspected fraudulent conduct.

---

## RISK

- The risk in the Product will pass to the Buyer immediately upon the Product leaving AquaCo Filters' premises for delivery to the place designated by the Buyer.

---

## RETENTION OF TITLE

- AquaCo Filters will retain title to (but not risk in) a Product delivered to the Buyer until AquaCo Filters has received payment in full for such Product from the Buyer.
- The Buyer will store the goods in such a way as to enable them to be separately identified and will keep them insured at its own expense with AquaCo Filters' interest noted on any such insurance cover.
- If the Buyer fails to make any payment when due or becomes bankrupt or becomes insolvent, or has a judgement entered against it in any Court or enters into any scheme of arrangement, composition, or assignment or is in receivership or voluntary administration or liquidation, the Buyer grants AquaCo Filters the license to enter any of the Buyer's premises where the Product is stored, and without notice, to re -take possession of and remove, at the Buyer's cost and expense, the Product in respect of which title has not passed to the Buyer.

**Product Code:** SYS-RO925TM5-DI

---

## RIGHTS FORFEITED

The Buyer forfeits any right or claim against AquaCo Filters warrantee if:

1. The System is operated with a water temperature higher than 38° Celsius.
2. The System is not serviced every 12 months. i.e. replacement of filters, PLV check and assessment of general condition of the system. If the drinking water quality is poor, the System should be serviced before 12 months.
3. The System damage results from water hammer, freezing, neglect or is not installed by a licensed plumber in accordance with the AS3500 plumbing code and installation plan.
4. The System is subject to water pressure that exceeds the maximum recommended pressure.
5. The System is not installed with an Australian Standards approved Pressure Limiting and Dual Check Valve.
6. The System has been found to be tampered with or if the goods have not been operated or maintained strictly in accordance with AquaCo Filters' recommendations.
7. The System is not turned off when the residents are away for over 24 hours.

---

## PRICE

- The price charged shall be AquaCo Filters' price ruling at the date of delivery unless otherwise agree in writing. Any price indications or price lists are subject to alterations to AquaCo Filters' price ruling at the date service or goods are supplied.
- Prices are as per AquaCo Filters' wholesale unless otherwise agreed in writing.
- The Buyer is responsible to effect and meet the costs of any insurance cover that is deemed necessary.
- Clerical errors in computations, typing or otherwise of "catalogue, quotation, acceptance, invoice, delivery docket or other document" shall be subject to correction.
- Any goods returned through no fault of AquaCo Filters will be subject to a 15% restocking fee.

---

## DEFAULT

On the happening of any one or more of the following events, namely:

- The Buyer fails to make payment to AquaCo Filters on the due date;
- An administrator or liquidator is appointed over any or all of the assets of the Buyer or a scheme of arrangements is proposed to approve with respect to the Buyer;
- In the case of the Buyer being a natural person, the Buyer commits an act of bankruptcy; then AquaCo Filters may at its option exercise all or any of the following rights (notwithstanding any prior failure to exercise such rights):
  - a. demand payment of the whole of the monies owing from the Buyer to AquaCo Filters and the Buyer agrees to pay the same immediately.
  - B. the Buyer shall pay to AquaCo Filters interest on such amount outstanding at the rate of 2% per month and any costs with respect to solicitors, legal advisors, mercantile agents and other agents acting on behalf of AquaCo Filters in respect of any enforcement hereof or recovery or attempted recovery of monies owing by the Buyer to AquaCo Filters.

---

## SEVERENCE

If any of these terms or conditions become for any reason wholly or partly invalid, that term or condition shall to the extent of the invalidity be severed without prejudice to the to the continuing force and validity of the remaining terms and conditions.

**Product Code:** SYS-RO925TM5-DI

---

#### JURISDICTION

AquaCo Filters and the buyer agree that this agreement and its provisions shall be construed in accordance with the laws of the State of Western Australia and be resolved by a Western Australian Court.

---

#### WARRANTY/AUSTRALIA

This warranty is given by Water Filters Pty Ltd, ABN 68618671677, telephone no. 08 6156 0220 and email at [sales@waterfilter.com.au](mailto:sales@waterfilter.com.au).

This warranty is provided in addition to other rights and remedies you have under law: Our goods come with guarantees which cannot be excluded under the Australian Consumer Law. You are entitled to replacement or refund for a major failure and to compensation for other reasonably foreseeable loss or damage. You are also entitled to have the goods repaired or replaced if the goods fail to be of acceptable quality and the failure does not amount to a major failure.